

**Deuschmann**  
*your ticket to all buses*

**Instruction Manual  
Universal Fieldbus-Gateway  
UNIGATE® IC- LONWorks (62)**



Manual Art.-No.: V3496E

Deuschmann Automation GmbH & Co. KG | Carl-Zeiss-Str. 8 | D-65520 Bad Camberg  
Tel: +49 6434 9433-0 | Hotline: +49 6434 9433-33 | Fax: +49 6434 9433-40  
[www.deuschmann.com](http://www.deuschmann.com)

<b>1</b>	<b>General introduction</b>	<b>8</b>
<b>2</b>	<b>The UNIGATE® IC</b>	<b>9</b>
2.1	Technical introduction	9
2.2	Availability	9
2.3	Firmware	9
2.4	The serial standard interface	9
2.5	The synchronous interface	9
2.6	The Debug-interface	9
2.7	UNIGATE® IC hardware survey	10
<b>3</b>	<b>Hardware design.</b>	<b>11</b>
3.1	Ports	11
3.2	Pinout	11
3.2.1	-Boot enable	12
3.2.2	Load out	12
3.2.3	Data out	12
3.2.4	Data In	12
3.2.5	Load In.	12
3.2.6	Clock.	12
3.2.7	-Reset In	12
3.2.8	Service.	12
3.2.9	LED - LN.	12
3.2.10	-Config Mode	13
3.2.11	DbgTX, DbgRx.	13
3.2.12	TE	13
3.2.13	TX, RX.	13
3.3	Software	14
3.4	Basic line of proceeding	14
3.5	Connection examples	15
3.6	Layout examples	17
3.7	Handling (mounting the UNIGATE® IC on the carrier board)	19
<b>4</b>	<b>The serial interface</b>	<b>20</b>
4.1	Overview	20
4.2	Initialization of the serial interface	20
4.3	Use of the serial interface	20
4.4	Further operation modes	20
<b>5</b>	<b>Synchronous interface</b>	<b>21</b>
5.1	Overview of the synchronous serial interface	21
5.2	Script-example	21
<b>6</b>	<b>The Debug-interface.</b>	<b>22</b>
6.1	Overview of the Debug-interface	22

6.2	Starting in the Debug-mode . . . . .	22
6.3	Communication parameter for the Debug-interface . . . . .	22
6.4	Possibilities with the Debug-interface . . . . .	22
6.5	Commands of the Debug-interface . . . . .	22
<b>7</b>	<b>Script and configuration . . . . .</b>	<b>23</b>
7.1	Overview . . . . .	23
7.2	The configuration mode . . . . .	23
7.3	Update the script . . . . .	23
7.4	Configuration of the UNIGATE® IC . . . . .	25
7.4.1	LONWorks . . . . .	25
7.4.2	RS232/RS485/RS422 . . . . .	25
<b>8</b>	<b>Generating a script . . . . .</b>	<b>26</b>
8.1	What is a script? . . . . .	26
8.2	Memory efficiency of the programs . . . . .	26
8.3	What can you do with a script device? . . . . .	26
8.4	Independence of buses . . . . .	26
8.5	Further settings at the gateway . . . . .	26
8.6	The use of the PROTOCOL DEVELOPER . . . . .	27
8.7	Accuracies of the baud rates at UNIGATE® IC . . . . .	27
8.8	Script processing times . . . . .	28
<b>9</b>	<b>LONWorks . . . . .</b>	<b>29</b>
9.1	General facts on UNIGATE® LONWorks – RS232/RS485 . . . . .	29
9.2	Nodes . . . . .	29
9.3	Network variables (NVTs) . . . . .	29
9.3.1	Implementing the network variables into the UNIGATE®-LONWorks . . . . .	30
9.3.2	Installation . . . . .	30
9.3.3	Technical data (characteristics) for LONWorks . . . . .	30
9.4	Script examples for the initialization of LONWorks . . . . .	32
9.5	LON-specific parameters . . . . .	33
<b>10</b>	<b>Error handling at UNIGATE® IC . . . . .</b>	<b>35</b>
<b>11</b>	<b>Firmware-update . . . . .</b>	<b>36</b>
11.1	Overview . . . . .	36
11.2	Adjusting the firmware-update-mode . . . . .	36
11.2.1	Adjustment by hardware . . . . .	36
11.2.2	Adjustment by software . . . . .	36
11.3	Execution of the firmware-update . . . . .	36
11.4	Note on safety . . . . .	36
11.5	Operation mode of the IC . . . . .	36

<b>12</b>	<b>Technical data</b>	<b>37</b>
12.1	Mechanics of the UNIGATE® IC	37
12.1.1	General dimensions of UNIGATE® IC	37
12.1.2	Dimensions UNIGATE® IC	37
12.2	Technical data UNIGATE® IC-LONWorks	38
<b>13</b>	<b>Accessory</b>	<b>39</b>
13.1	Adapter RS232	39
13.2	Adapter RS485	39
13.3	FirmwareDownloadTool (FDT)	39
13.4	PROTOCOL DEVELOPER	39
13.5	Developerkit UNIGATE® IC-AB IC	39
13.5.1	Developerboard UNIGATE® IC-AB	39
13.5.2	Quick start	40
<b>14</b>	<b>Appendix</b>	<b>41</b>
14.1	Explanations of the abbreviations	41
14.2	Basis board	42
14.2.1	Overview basis board LONWorks	42
14.2.2	Connectors of the basis board	46
14.2.2.1	Connector to the external device (RS-interface)	46
14.2.2.2	LONWorks bus connector	46
14.2.2.3	Power supply of the basis board	47
14.2.2.4	Shield terminal lead	47
14.2.2.5	Rotary coding switches	47
14.2.2.6	Slide switch (RS485/RS232 interface)	47
14.2.2.7	Slide switch (RS485 termination)	47
14.2.3	Wiring diagram UNIGATE® IC-basis board LONWorks	48
<b>15</b>	<b>Servicing</b>	<b>51</b>
15.1	Downloading PC software, Script examples etc.	51
<b>16</b>	<b>EC declaration of conformity</b>	<b>52</b>



#### Disclaimer of liability

We have checked the contents of the document for conformity with the hardware and software described. Nevertheless, we are unable to preclude the possibility of deviations so that we are unable to assume warranty for full compliance. The information given in the publication is, however, reviewed regularly. Necessary amendments are incorporated in the following editions. We would be pleased to receive any improvement proposals which you may have.

#### Copyright

Copyright (C) Deutschmann Automation GmbH & Co. KG 1997 – 2014. All rights reserved. This document may not be passed on nor duplicated, nor may its contents be used or disclosed unless expressly permitted. Violations of this clause will necessarily lead to compensation in damages. All rights reserved, in particular rights of granting of patents or registration of utility-model patents.



## 1 General introduction

In the past the integration of a fieldbus connection required an enormous effort from the progress engineers. On account of the large variety of communication systems it is not enough to compile the right combination of communication hardware; due to their standards and fundamentals different busses also require the corresponding skills of the engineers.

This does not apply in case of the UNIGATE® IC by Deutschmann Automation any more. All digital functions, software, stack and driver as well as optocoupler are integrated on a UNIGATE® IC in correspondence with the standard. In addition to the reduction of the required size, also different fieldbusses can easily be integrated.

**Through the flexible firmware of UNIGATE® IC no software-changes are required on the side of the customer!**

Since 1997 Deutschmann Automation has experience in the field of fieldbus gateways; this enormous experience results in the UNIGATE® IC as a consistent sequel of this successful product line.

### **Terminology**

In the entire document and in all parts of the software that is to be used, the terms Input and Output are used. Input and Output are ambiguous, always depending on the viewpoint. We see the fieldbus as central interface and as integral component of your device; therefore in all places it is always referred to data from the viewpoint of the Slave, that is Input data, as data from the Master to the Slave - regardless of the used bus.

### **Representation of numbers**

Numbers in decimal format are always represented without prefix and without suffix as well. Hexadecimal numbers are always marked with the prefix 0x.



## 2 The UNIGATE® IC

### 2.1 Technical introduction

The UNIGATE® IC by Deutschmann Automation contains all components that are required for the communication in a fieldbus in one single module. Therefore a developer does not have to take care for that detail any more, only a hardware redesign is necessary in order to integrate the UNIGATE® IC and the required plug connectors.

### 2.2 Availability

The module is available with a FTT-10A interface. Further fieldbuses are either planned or being worked on. They will only differ in the connections of the busses. The meaning of the general pins 1 - 9 as well as 24 and 26 - 32 will remain unchanged also for further fieldbus implementations.

You can find an up-to-date list for all UNIGATE® ICs under:  
<http://www.deutschmann.de>.

### 2.3 Firmware

UNIGATE® IC is programmed via scripts. On principle any script, that has been developed for a UNIGATE® IC, can also be operated on the UNIGATE® IC.

### 2.4 The serial standard interface

Intelligent devices, that already feature a micro controller or a microprocessor, are generally supplied with a serial asynchronous interface with a TTL-level. It is directly connected with the TTL-interface of the UNIGATE® IC. For more information on this serial interface see chapter 4 on page 20.

### 2.5 The synchronous interface

In addition to the standard interface there is also the possibility of the synchronous input and output. That way for instance digital IOs can be connected through shift register components or also analog IOs can be connected through a DA-converter with serial in-/output. For synchronous IOs 256 signals at the most can be used (256 bit). Wiring examples can be found in chapter Kapitel 3.5 and software examples in chapter 5.2. It is also possible to build, for instance digital or analogous I/O-modules, with the customer's device not being equipped with an own controller. The fieldbus IC is also operable autonomously without that controller.

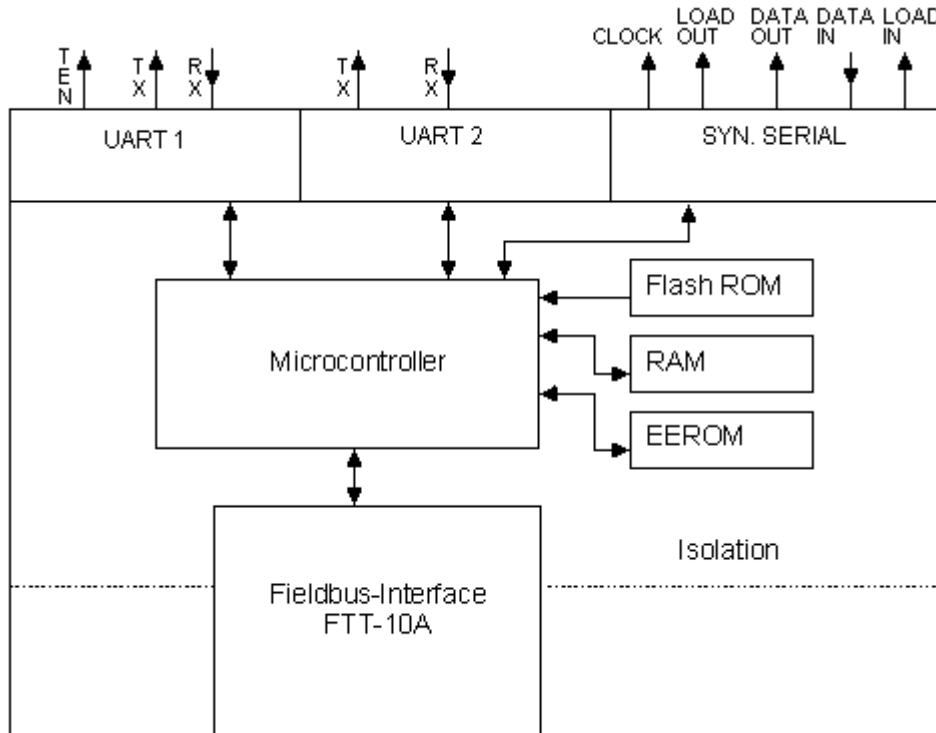
### 2.6 The Debug-interface

The UNIGATE® IC features a Debug-interface, which allows to process a script step by step and also to monitor or manipulate data. This is indispensable for the development of a script. Usually a script is developed with the software PROTOCOL DEVELOPER. For more details take a look at the instruction manual PROTOCOL DEVELOPER.

**All interfaces can independently be used at the same time.**

## 2.7 UNIGATE® IC hardware survey

The hardware of the UNIGATE® IC consists of some few standard components. The picture below shows the functional structure of the IC.



### 3 Hardware design

This chapter gives basic advise, that is required in order to load UNIGATE® IC into your own hardware designs. In the following all ports of UNIGATE® IC are described in detail.

#### 3.1 Ports

UNIGATE® IC features 32 pins in its layout as a DIL 32 component. Pin 10 -12 and 21 - 23 as well are not wired due to the electrical isolation. The exact mechanical dimensions can taken from chapter 12.



In the layout boreholes for ALL 32 pins have to be planned.

#### 3.2 Pinout

Pin	Technical specifications	Name	Description	Remark
1	5V ± 5%, max. 75 mA DC	Vcc	+ 5 V voltage supply	
2	IN <sub>Logic</sub>	-BE	boot enable	
3	OUT <sub>Driver</sub>	Load out	strobe signal for synchronous, serial interface	
4	OUT <sub>Driver</sub>	Data out	output data for synchronous, serial interface	
5	IN <sub>Logic</sub>	Data in	input data of the synchronous, serial interface	internally pulled up with 10 kΩ
6	OUT <sub>Logic</sub>	Load in	input data of the synchronous, serial interface; alternatively strobe signal of the output data	
7	OUT <sub>Driver</sub>	Clock	clock pulse signal for synchronous, serial interface	
8	IN <sub>Reset</sub>	-Reset in')	reset-input of the IC	
9	connected to pin 1	Vcc	+ 5 V voltage supply	
10-12	nc	nc	no pin	
13	nc	nc		
14	standard	LON_A	LONWorks	
15	standard	LON_B	LONWorks	
16		ground		
17	IN/OUT	service	service pin key	
18-20	nc	nc		
21-23	nc	nc	no pin	
24	connected to pin 32	GND	ground supply voltage of the IC	
25	*) OUT	LED-LON	bus state	
26	IN <sub>Logic</sub>	-Config Mode	signal to start the configuration mode	internally pulled up with 10 kΩ
27	OUT <sub>Logic</sub>	DbgTX	serial Debug TX	
28	IN <sub>Logic</sub>	DbgRX	serial Debug RX	internally pulled up with 10 kΩ
29	IN <sub>Logic</sub>	RX	serial data RX	internally pulled up with 10 kΩ
30	OUT <sub>Logic</sub>	TX	serial data TX	
31	OUT <sub>Logic</sub>	TE	transmit enable	
32*	GND	GND	ground supply voltage of the IC	

\*) A-gn = Anode of green LED

	V <sub>IL</sub>	V <sub>IH</sub>
IN <sub>Reset</sub>	< 0.3V / 5mA	> 1.95V / 10µA
IN <sub>Logic</sub>	< 0.8V / 0.5mA	> 1.95V / 10µA

	V <sub>OL</sub>	V <sub>OH</sub>
OUT <sub>Logic</sub>	< 0.6V / 1mA	> 3.8V / 0.1mA
OUT <sub>Driver</sub>	< 0.33V / 4mA	> 3.8V / 4mA

### 3.2.1 -Boot enable

The IC is started in the firmware update mode with the level GND during the power up process. See also chapter 11.

### 3.2.2 Load out

Strobe signal for the synchronous serial interface. With the positive edge at this output data is taken from the connected shift registers to the physical outputs.

### 3.2.3 Data out

On this line data is output on the synchronous serial interface. The most significant bit of the data is output first.

### 3.2.4 Data In

Data is read in on the synchronous serial interface via this signal. The most significant bit of the data is expected first.

### 3.2.5 Load In

This pin is the strobe signal for the input data of the synchronous serial interface.

### 3.2.6 Clock

This signal is the clock line for the synchronous serial interface. That signal is equally valid for data input and data output.

### 3.2.7 -Reset In

- A reset generator (Max 809) is on board; with it in the normal case the reset input is not required. In this case the reset input has to be connected with VCC, in order to avoid interferences (see chapter 3.6).
- If the the customer's application has to initiate a reset of the UNIGATE® IC, then the reset input can also be connected with a reset output of the customer's application instead of connecting it with VCC. Here all specifications of the reset signal, mentioned in chapter 3.2 have to be kept. The reset-impulse is supposed to last at least 10 ms.

### 3.2.8 Service

A key to GND is to be connected to that wire. When pushing that button the IC is sending a service oin message to the LON network. With it the IC can be logged on to the network. You can also connect a LED to that pin 17. Pin 17 to the cathode, anode through 1.5 kOhm to +5V. (see chapter 3.6)

- LED on: The node has no valid application code.
- blinks: Blinks at 1/2 Hz rate: The node has application code but no network configuration information.
- No lit: The node has both application code and network configuration inormation.

### 3.2.9 LED - LN

Flashes when the service button is bein pushed or in case of a WInk command. It shines when a data exchange via the LON network to the IC has taken place.

-> This LED can not be used in case of RS485-operation.

### **3.2.10 -Config Mode**

If the pin has the level GND, then the IC starts in the configuration mode.

### **3.2.11 DbgTX, DbgRx**

They are transmission line and receive line as well of the IC's Debug-interface. For the function description of the Debug-interface see chapter 6.

### **3.2.12 TE**

The transmit enable signal allows the connection of RS485 drivers to the IC's serial interface. The signal is set to 5V whenever the IC sends via the line TX.

### **3.2.13 TX, RX**

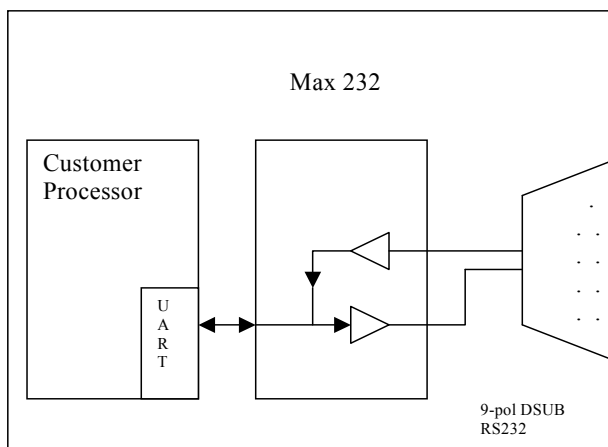
Transmission and receive line of the serial interface. This interface is programmable in accordance with the description in chapter 4 on page 20.

### 3.3 Software

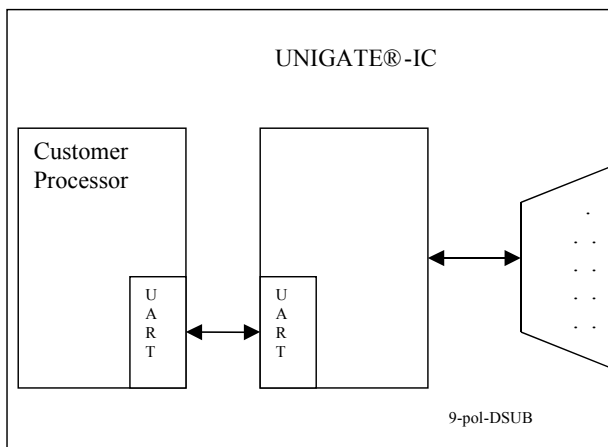
The software executes script-commands, which in turn control the IC's hardware and they process their complete protocol by software. The script itself can be generated by the company Deutschmann Automation or with the software PROTOCOL DEVELOPER by yourself. For a detailed description of the script.commands of the PROTOCOL DEVELOPER see the instruction manual PROTOCOL DEVELOPER and the online documentation concerning script-commands.

### 3.4 Basic line of proceeding

In theory it is enough to replace the RS232-driver that is included in your application by the UNIGATE® IC.



Your device, which on the whole is supposed to be assembled as shown above, will now be modified in a way that the LON Bus is available at the 9-pol. socket. However, a hardware redesign is necessary in order to keep the assignment in standard form.



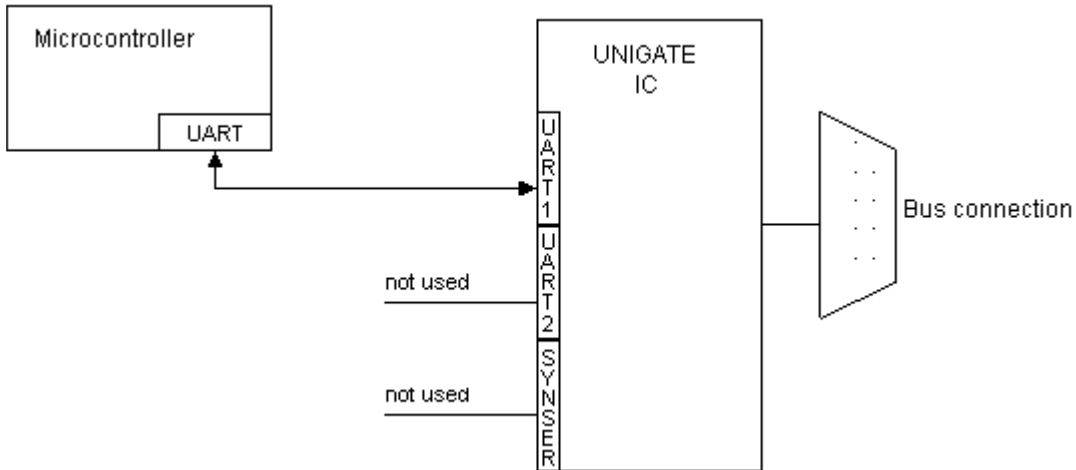
After the RS232-driver has been replaced by the UNIGATE® IC, the PROFIBUS is available at the 9-pol. D-sub-socket.

Deutschmann Automation is also offering an appropriate adapter board. With it existing devices can be adapted without re-design; see chapter 13 on page 39.

### 3.5 Connection examples

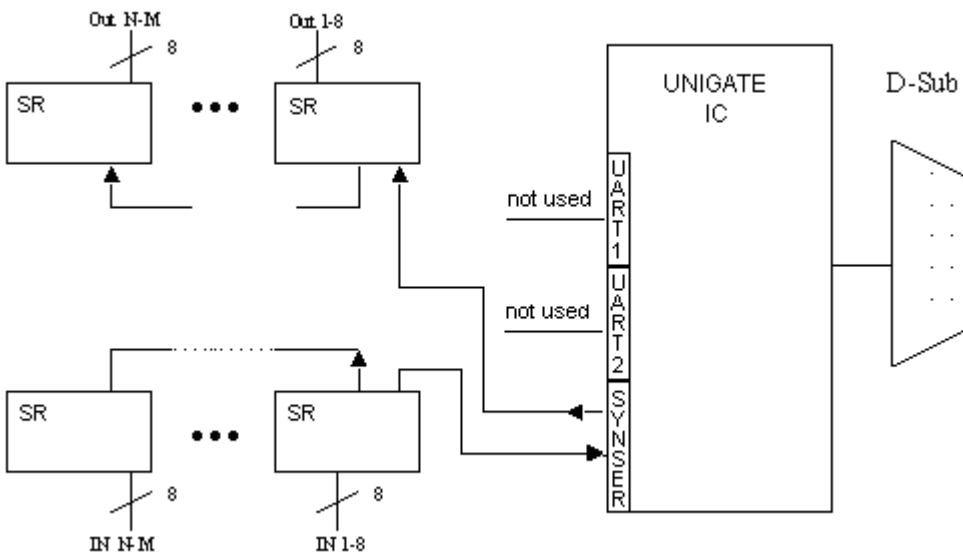
Here you will find some advice that offers help for a re-design. In the following several versions are listed, that should make it easier for you to decide.

Version 1: Use as a pure link module for the bus



The UNIGATE® IC independently processes the communication with the customer's device via the TTL-interface.

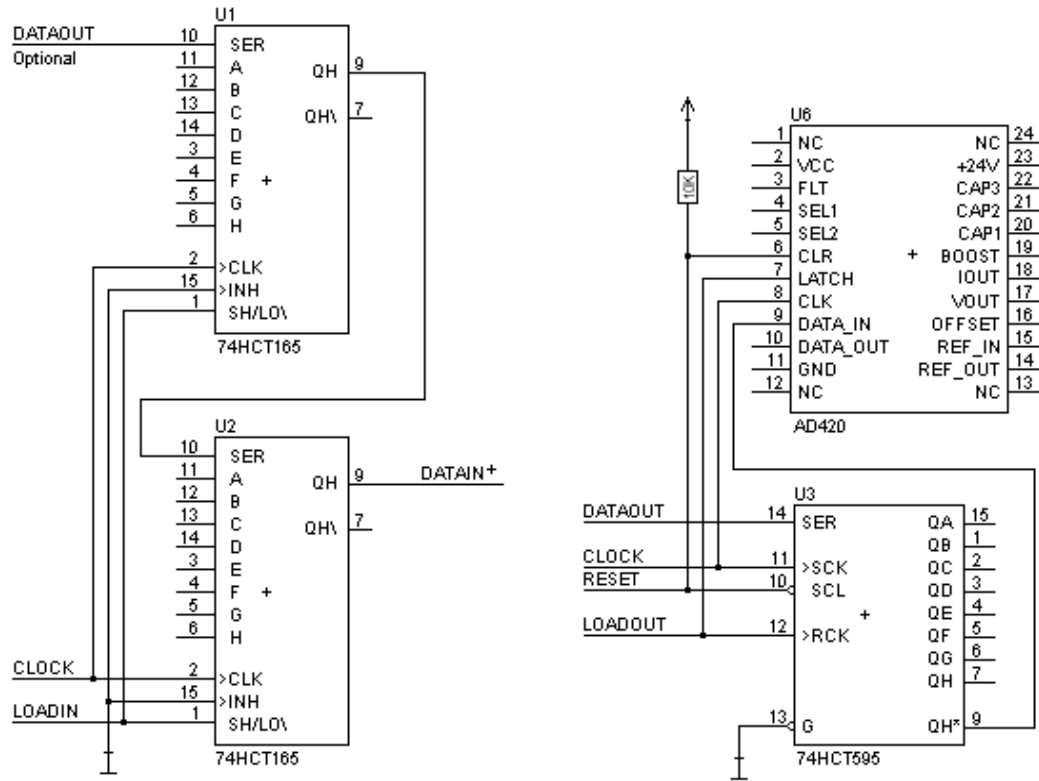
Version 2: Use of UNIGATE® IC for digital or analog I/O-modules



Here only the synchronous serial interface is used, the asynchronous serial interface is basically of no account. If you want to program the script in your completed application, then the use of a connector for the asynchronous interface is recommended. With it you can carry out the ISP-programming.

**For this operating mode no additional controller is required on your application!**

The following circuit diagram is an example for how shift register components can be connected to the IC.

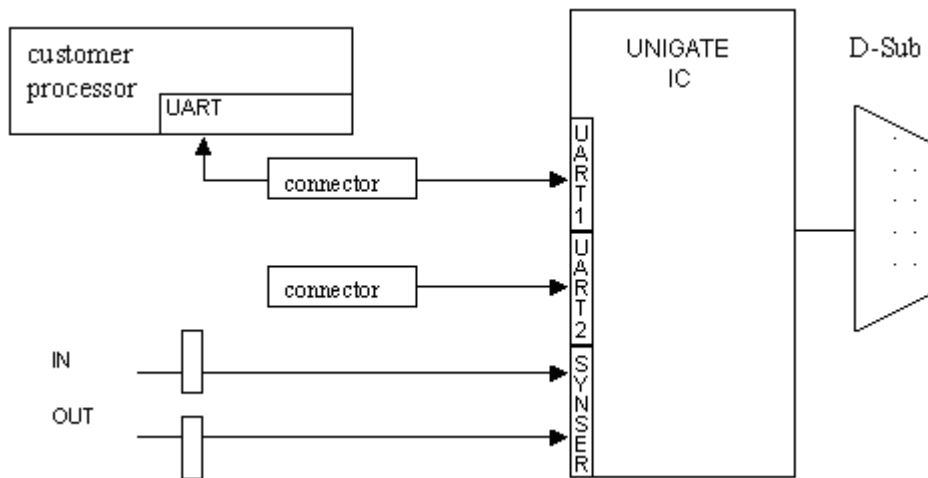


Version 3: Example for digital I/Os

The serial synchronous and the asynchronous interface as well can be operated by UNIGATE<sup>®</sup> IC at the same time. Here the possibility results that an existing application can be extended by additional digital or analog I/Os.

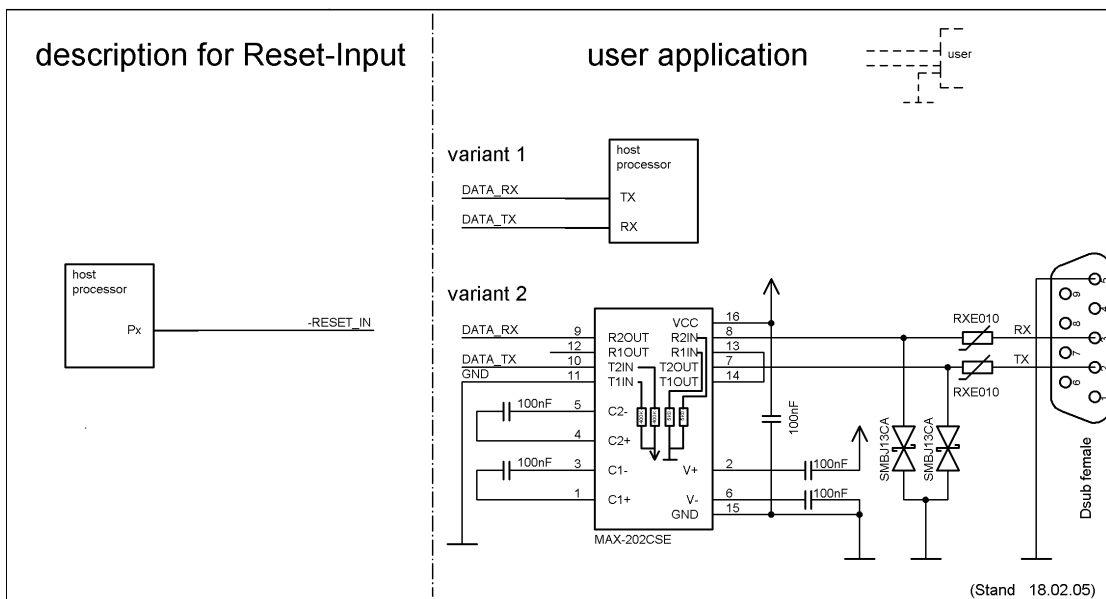
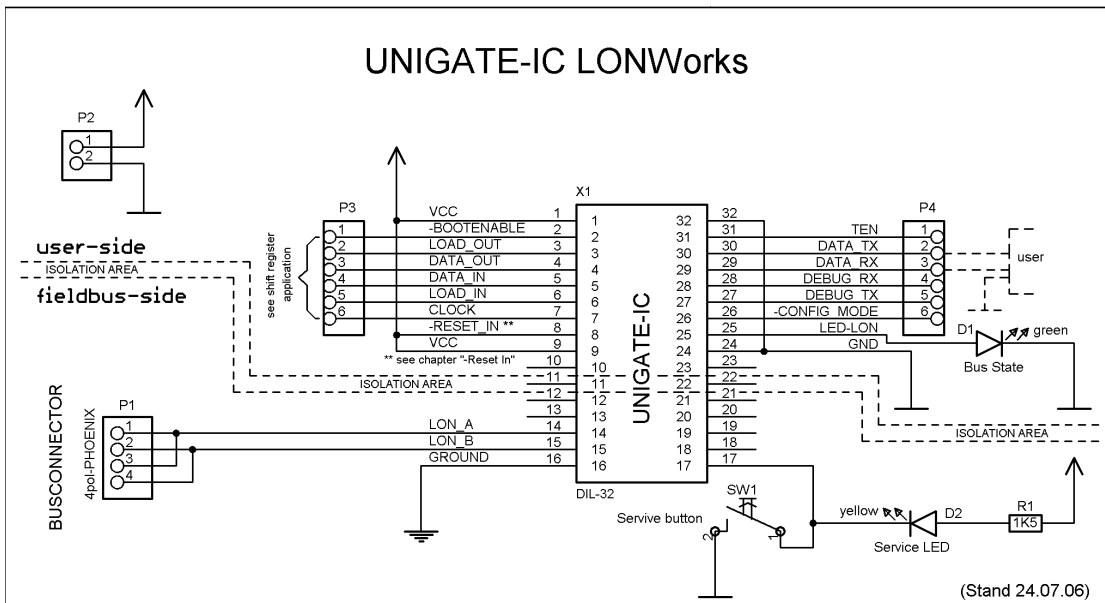
In chapter 5.2 you find an example for a script, that operates these I/Os.

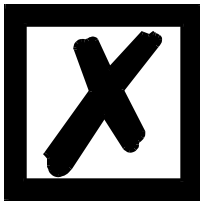
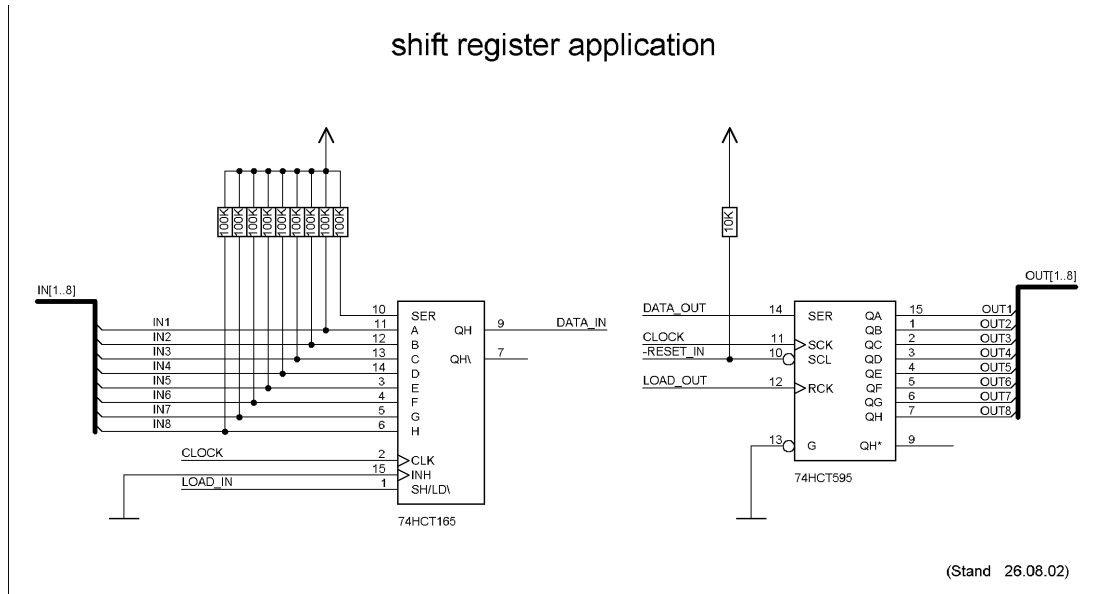
Valid for all versions: A planned plug connection of the serial interface in the application offers the possibility of an update of the firmware or the software via an external connection.





### 3.6 Layout examples





The 74HCT595 used in this example has an undefined on-position, but therefor can set the outputs to the tri-state condition via the OutEnable-Pin 13. If it is more important to have a defined on-position in an application, and the OutEnable-pin is not necessary, the 74HCT594 can be used here.

### 3.7 Handling (mounting the UNIGATE® IC on the carrier board)

Depending on the application and the expected shock- and vibration-conditions you can choose from the following possibilities for the UNIGATE® IC's installation on the carrier board:

- Mounting on a socket in the carrier board. If necessary solder the UNIGATE® IC to 2 or 4 pins in the socket. Normally the IC can easily be pulled out after the soldering points have been removed.
- Make arrangements for two holes next to the socket in the layout. After the UNIGATE® IC was plugged in the socket pull an isolated wire over the IC and solder it on the carrier board at the specified holes.
- Fasten the UNIGATE® IC With a wire or a tie wrap on the socket.
- Manual soldering directly on the carrier board.
- Automatic soldering directly on the carrier board, whereas „selective“ soldering is essential (no wave soldering)

The advantage of the socketed variant is the easy download of Script- and Firmware-updates, if the carrier board is not designed for it. Besides, that way the Fieldbus can be changed easily by changing the UNIGATE® IC if the corresponding plug connectors are provided on the carrier board. Another advantage is, that - normally - only a reflow soldering of the carrier board is necessary.

The advantage of the soldered variant is, that the installation height is lower and a higher shock- and vibration-safety is provided.

## 4 The serial interface

### 4.1 Overview

The serial interface is the most important connection between the UNIGATE® IC and the micro controller of your application. The interface is designed in a way so that your application at least does not have to be changed on the software-side. The wide range of services of the UNIGATE® IC's serial interface constitutes the basis for it. The UNIGATE® IC allows to connect controllers with a baudrate of 110 baud to 625 kbaud. The maximum size for IO-data can be read-out with the Script command `Get RSOutBufFree16`.

Depending on the read-in script of the UNIGATE® IC, the module carries out actions independently, in order to identify data from the connected device. For customers who already have a software-adaptation at the company Deutschmann Automation, this protocol as well as a script after an adaptation can be processed by the IC.

Anyway, the IC will take over the communication with the fieldbus independently.

### 4.2 Initialization of the serial interface

The initialization of the interface is carried out by script-commands, such as `Set baudrate`, `Set databits`, `Set parity`. For a detailed description of these commands see the online documentation for the PROTOCOL DEVELOPER or the instruction manual for the PROTOCOL DEVELOPER.

### 4.3 Use of the serial interface

The serial interface can freely be programmed by the user. Efficient script-commands for sending and receiving data are available; just to mention some possibilities: such as waiting with timeout for a character, waiting for a fixed number of characters or also sending and receiving data in the Modbus RTU. A reference to these commands is offered in the online documentation for the PROTOCOL DEVELOPER as well as in the instruction manual for the PROTOCOL DEVELOPER.

### 4.4 Further operation modes

In the modes configuration mode and firmware-update mode the serial interface also serves to configure the standard software or to carry out a firmware-update. More details can be found in chapter 11.5 on page 36.

## 5 Synchronous interface

### 5.1 Overview of the synchronous serial interface

The synchronous serial interface is an interface of the IC to clocked shift registers. About this it is not only possible to input or output digital signals but also the addressing of DA- or AD-converters with clocked serial interface is possible as well as the connection of LEDs or reading in rotary switches. Connection examples are stated in chapter 3.

The synchronous serial interface can also be used in products, that do not feature an own micro controller (stand alone operation), in order to realize digital IO-modules for instance. Up to 256 signals for input and output each can be processed. The UNIGATE® IC's firmware is responsible for the different amount of input and output signals and takes on control for it.

The data exchange with the script is made with the commands:

"Set ShiftRegisterInputType / Set ShiftRegisterOutputType" and  
"Set ShiftRegisterInputBitLength / Set ShiftRegisterOutputBitLength" and  
"WriteShiftRegister" as well as "ReadShiftRegister".

In order to make the use of the synchronous serial interface as efficient as possible, it is possible to set a „shift register“ and a „bit length“ via the script, whereas both can be changed dynamically within the script by script commands.

As a result the firmware is in the position to control the entire data transfer with the hardware and the data exchange can be carried out as quickly as possible.

At present the shift register types "RiseClk\_RiseLoad" and "RiseClk\_LowLoad" are implemented, that are required when using for instance the 74595 and 74165 (see also chapter 5.2).

Other types can be complemented very fast and simple - by Deutschmann Automation GmbH.

The shift register type defines the edges or the levels on how data is output to the hardware or how data is read in.

In this case the data exchange is restricted to the script commands "WriteShiftRegister" and "ReadShiftRegister". The clock speed is min. 150kHz, so that for instance a shift register with 32 bit is read in or written in a time period of max. 215µs.

### 5.2 Script-example

```
var InBuffer: Buffer[2];
Var OutBuffer: Buffer[2];
MoveConst (OutBuffer[0], #0x58#0x21 ),

Set ( ShiftRegisterInputType , RiseClock_FallLoad ) ;
Set ( ShiftRegisterOutputType , RiseClock_RiseLoad ) ;

Set ( ShiftRegisterInputBitLength , 16 ) ;
Set ( ShiftRegisterOutputBitLength , 16 ) ;

WriteShiftRegister ( OutBuffer[0] ) :
ReadShiftRegister ( InBuffer[0] ) ;

// Input data is now in the InBuffer
// 0x58 is applied to the outputs of the analog converter
// 0x21 at the shift register's outputs
```

## **6 The Debug-interface**

### **6.1 Overview of the Debug-interface**

The UNIGATE® IC features a Debug-interface, that allows a step-by-step processing of a script. Normally this interface is only required for the development of a script.

### **6.2 Starting in the Debug-mode**

When applying power to the UNIGATE® IC (power up) the firmware will output the binary character 0 (0x00) after a self-test was carried out on this interface. If the IC receives an acknowledgement via this interface within 500 ms, it is in the Debug-mode. The acknowledgement is the ASCII-character O (0x4F).

With the start in the Debug-mode the further execution of script-commands will be put to a stop.

### **6.3 Communication parameter for the Debug-interface**

The Debug-interface is always operating with 9600 baud, no parity, 8 data bit, 1 stop bit. In the PROTOCOL DEVELOPER it is not possible to change this parameter.

### **6.4 Possibilities with the Debug-interface**

Usually the PROTOCOL DEVELOPER is connected to the Debug-interface. With it a step-by-step processing of a script, monitoring jumps and decisions and looking at memory areas is possible. Moreover breakpoints can be set. It basically possesses all characteristics a software-development tool is typically supposed to have. However, it is also possible to carry out a Script-update via this interface.

### **6.5 Commands of the Debug-interface**

The commands for the use of the Debug-interface are described in the instruction manual PROTOCOL DEVELOPER. Please pay attention to the fact that these settings have to be in accordance with those of the PC-COM-interface and that the flow control (protocol) has to be set on „none“ there.

## 7 Script and configuration

### 7.1 Overview

The script stored in the UNIGATE® IC, as well as the configuration, can be replaced or updated via the serial interface (application) in the configuration mode.

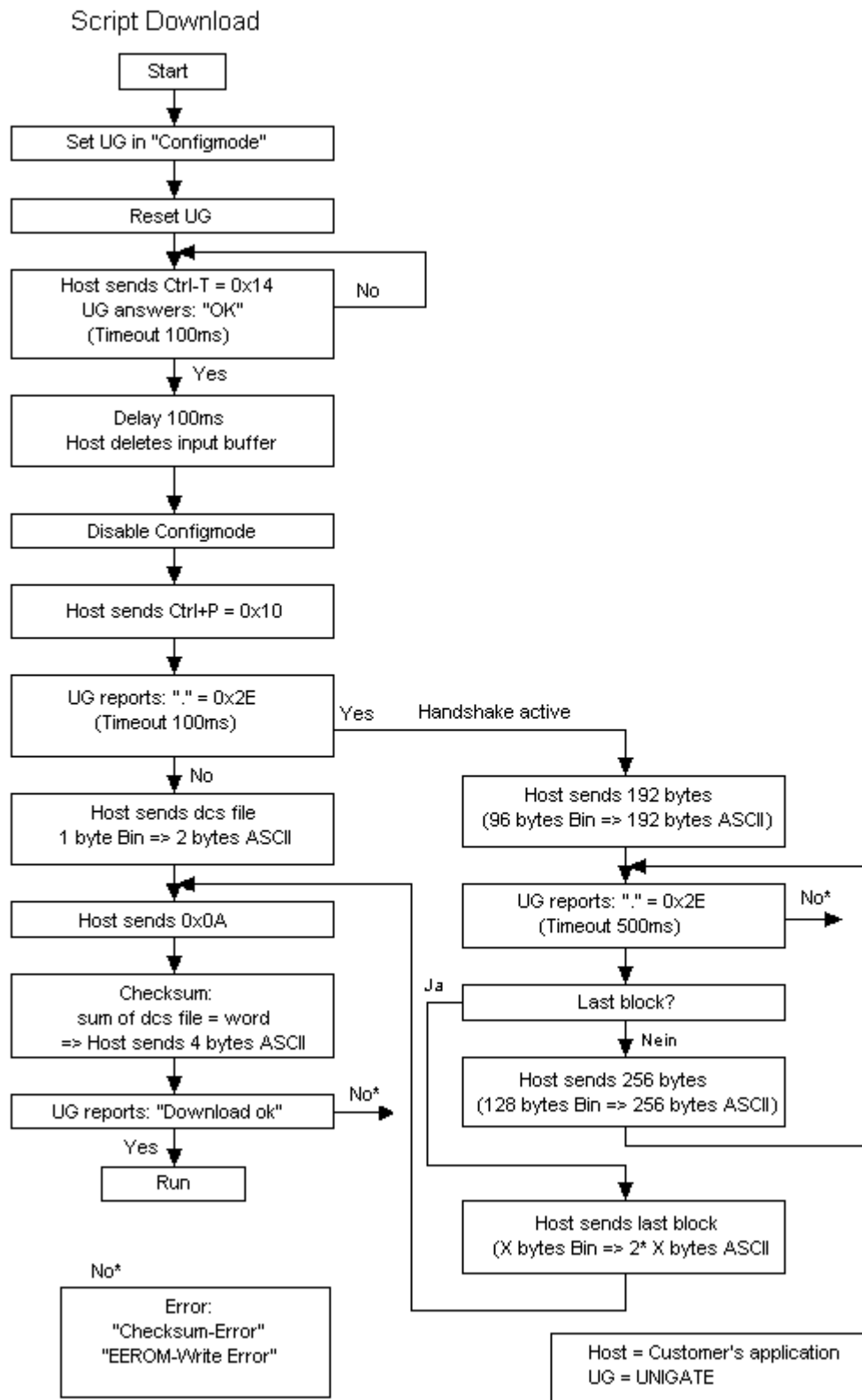
### 7.2 The configuration mode

If the pin „ConfigMode“ pulled to GND during the PowerUp or Reset, then the UNIGATE® IC starts in the configuration mode. In this mode it is possible to communicate with the IC without processing the regular software. In this mode it is possible to change the UNIGATE® IC's settings of the standard software or to write a new script in the UNIGATE® IC. It shows its start in the configuration mode by issuing a status message, which might look as follows:

```
IC-LN(62)-SC V1.2a[26] (c)dA Script(8k)="Test" Author="gst" Version="V1.0t" Date=14.03.2005  
SN=47110001 Neuron-ID=04 2C 87 E9 01 00
```

### 7.3 Update the script

- The preferred option is to insert the UNIGATE® IC into the base board from Deutschmann (Developer Board UNIGATE® IC-AB) and use the Deutschmann tools (software WINGATE with „Write Script“ under „File“ or with the software ScriptProgramTool)
- Your host can also automatically replace the script in your application. In the following flow chart the handshake is shown.





**The operational sequence is as follows:**

The Gateway has to be in the config-mode.

The script-download is initiated with "Ctrl-P (=0x10)".

After that the data follows byte by byte as ASCII-hex-characters.

The download is terminated with a "LF (=0x0A)".

Afterwards the word-checksum follows as ASCII-hex-characters.

The Gateway responds with a clear text reply to that download and carries out a warm start.

Example:

The following 4-bytes script is supposed to be downloaded: 0x01 0x12 0x5A 0x23

The sum of the bytes is 0x0090 as checksum.

Then the following sequence is to be sent:

1. 0x10 Ctrl-P
2. 0x30 '0'
3. 0x31 '1'
4. 0x31 '1'
5. 0x32 '2'
6. 0x35 '5'
7. 0x41 'A'
8. 0x32 '2'
9. 0x33 '3'
10. 0x0A LF
11. 0x30 '0'
12. 0x30 '0'
13. 0x39 '9'
14. 0x30 '0'

Gateway's reply: "Download ok"

## 7.4 Configuration of the UNIGATE® IC

UNIGATE® IC is delivered with an empty script.

### 7.4.1 LONWorks

- supports SNVT Master List Revision 12 (from Firmware V1.22)

### 7.4.2 RS232/RS485/RS422

- RS type: RS232
  - Start bit: 1
  - Data bits: 8
  - Stop bit: 1
  - Parity: None
- Baud rate: 9600 Baud  
Default setting This configuration can be changed via the Script.

## 8 Generating a script

### 8.1 What is a script?

A script is a sequence of commands, that are executed in that exact order. Because of the fact that also mechanisms are given that control the program flow in the script it is also possible to assemble more complex processes from these simple commands.

The script is memory-oriented. It means that all variables always refer to one memory area. While developing a script you do not have to take care of the memory management though. The Protocol Developer takes on this responsibility for you.

### 8.2 Memory efficiency of the programs

A script command can carry out e. g. a complex checksum like a CRC-16 calculation via data. For the coding of this command only 9 byte are required as memory space (for the command itself). This is only possible when these complex commands are contained in a library.

A further advantage of this library is, that the underlying functions have been in practical use for a couple of years and therefore can be described as 'void of errors'. As these commands are also present in the native code for the controller, at this point also the runtime performance of the script is favorable.

### 8.3 What can you do with a script device?

Our script devices are in the position to process a lot of commands. In this case a command is always a small firmly outlined task. All commands can be put into classes or groups. A group of commands deals with the communication in general. This group's commands enable the gateway to send and receive data on the serial side as well as on the bus-side.

### 8.4 Independence of buses

Basically the scripts do not depend on the bus, they are supposed to operate on. It means that a script which was developed on a PROFIBUS gateway can also be operated on an Interbus without changes, since the functioning of these buses is very similar. In order to also process this script on an Ethernet gateway, perhaps further adjustments have to be made in the script, so that the script can be executed reasonably.

There are no fixed rules how which scripts have to operate properly. When writing a script you should take into account on which target hardware the script is to be executed, so the necessary settings for the respective buses can be made.

### 8.5 Further settings at the gateway

Most devices require no further adjustments, except for those made in the script itself. However, there are also exceptions to it. These settings are made by means of the software WINGATE. If you know our UNIGATE®-series, you are already familiar with the proceeding with it. An example is the adjustment of the IP-address and the net-mask of an Ethernet-gateway. These values have to be known as fixed values and are not available for the runtime. Another reason for the configuration of the values in WINGATE is the following: After an update of the script these values remain untouched, i. e. the settings that were made once are still available after a change of the script.

Only this way it is also possible that the same script operates on different Ethernet-gateways, that feature different IP-addresses.

## 8.6 The use of the PROTOCOL DEVELOPER

The PROTOCOL DEVELOPER is a tool for an easy generation of a script for our script gateways. Its operation is exactly aimed at this use. After starting the program the script that was loaded the last time is loaded again, provided that it is not the first start.

Typical for Windows script commands can be added by means of the mouse or the keyboard. As far as defined and required for the corresponding command, the dialog to the corresponding command is displayed, and after entering the values the right text is automatically added to the script. The insertion of new commands by the PROTOCOL DEVELOPER is carried out in a way that existing commands will not be overwritten. Generally a new command is inserted in front of the one where the cursor is positioned. Of course the commands can also be written by means of the keyboard or already written commands can also be modified.

## 8.7 Accuracies of the baud rates at UNIGATE® IC

The baud rate of the serial interface is derived from the processor's crystal frequency.

Meanwhile all Script-gateways are working with a crystal frequency of 40 MHz.

You can enter any desired integer baud rate into the script. After that the firmware adjusts the baud rate, that can be derived the most precisely from the crystal frequency.

The baud rate the gateway is actually working with (BaudIst) can be determined as follows:

BaudIst = (F32 / K)  
F32 = Crystal frequency [Hz] / 32  
K = Round (F32 / BaudSoll);  
Round () is a commercial roundoff

Example:

The actual baud rate is to be calculated, when 9600 baud are pre-set, where the gateway is operated with 40 MHz:

F32 = 40000000 / 32 = 1250000  
K = Round(1250000 / 9600) = Round(130.208) = 130  
BaudIst = 1250000 / 130 = 9615.38

I. e.: The baud rate actually adjusted by the gateway is 9615.38 baud

The resulting error in per cent can be calculated as follows:

Error[%] = (abs(BaudIst - BaudSoll) / BaudSoll) \* 100

In our example the following error results:

Error = (abs(9615.38 - 9600) / 9600) \* 100 = 0.16%

In practise errors below 2% can be tolerated!

In the following please find a listing of baud rates at a 40 MHz-crystal frequency with the corresponding errors:

---

4800 baud:	0.16%
9600 baud:	0.16%
19200 baud:	0.16%
38400 baud:	1.35%
57600 baud:	1.35%
62500 baud:	0%
115200 baud:	1.35%
312500 baud:	0%
625000 baud:	0%

## 8.8 Script processing times

The Script is translated by the PROTOCOL DEVELOPER and the consequently generated code is loaded into the Gateway. Now the processor in the Gateway interprets this code. In this case, there are commands that can be processed very fast (e. g. "Set Parameter"). There are also commands, however, that take longer (e. g. copying 1000 bytes). Consequently, for one thing the processing time differs due to the kind of Script command. But the processing time of the Script commands is considerably more determined by the processor time that is available for this process. Since the processor has to carry out several tasks simultaneously (multitasking system) only a part of the processor's capacity is available for the Script processing. The following tasks - in the order of priority - are executed on the processor:

- Sending and receiving data at the Debug-interface (provided that the PROTOCOL DEVELOPER has been started on the PC)
- Sending and receiving data at the RS-interface
- Sending and receiving data at the Fieldbus-interface
- Tasks controlled via internal clock (1 ms) (e. g. flashing of an LED)
- Processing of the Script

From experience approximately 0.5 ms can be calculated for each Script line. This value confirmed itself again and again in many projects as a standard value. He is always quite right if the processor has enough time available for the Script processing.

By means of the tasks mentioned above, the following recommendation can be formulated in order to receive a rather fast Script processing:

- Deactivate the Debug-interface (it is the normal case in the serial use)
- Keep the data length at the RS-interface as small as possible. The baud rate is not the problem here, but the amount of characters which are transferred per second.
- Do not unnecessarily extend the data length at the Fieldbus side. Especially at acyclical bus data, if possible do only send them when changes were made. The data length at buses that are configured to a fixed length (e. g. PROFIBUS) should not be longer than absolutely necessary.

If the processing time should be too large in spite of these measures, there is the possibility to generate a customized Script command, that executes several tasks in one Script command. Please contact our support department for this purpose.

## 9 LONWorks

### 9.1 General facts on UNIGATE® LONWorks – RS232/RS485

The UNIGATE® LONWorks module communicates according to the LONTalk record. That means that it can communicate with all LONWorks nodes which correspond to this record. For further information on LONWorks technology see [www.echelon.com](http://www.echelon.com) and [www.lonmark.org](http://www.lonmark.org).

### 9.2 Nodes

Nodes are devices that interact with physically fixed control units and communicate via a net, that features the LONTalk-protocol. Every node in the net contains stored intelligence that realizes and carries out control functions (handling of the I/O signals). No central service or master-slave construction is required and therefore a LONWorks net is often called "distributed I/O net".

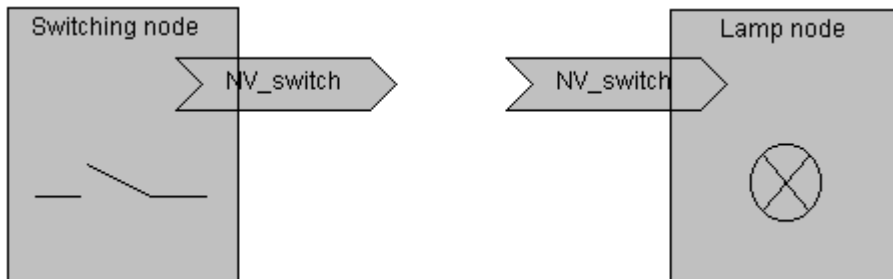
Every node includes a physical interface, the transceiver of this interface with the communication media. The UNIGATE®-Lon-module uses the FTT-10A (Free Topology Twisted pair) from the Echelon association. This is the medium usually mostly used in automation and this construction supports the star, bus and loop wiring. The FTT-10A-transceiver is connected to the twisted bus cable and has a baud rate of 78 kbit/s. The FTT-10A has a high impedance if no voltage is supplied and it does not disturb the network communication if the operating voltage breaks down.

### 9.3 Network variables (NVTs)

A network variable is an object on a node that can be connected with one or several network variables at one or several nodes. The network variable of a node defines its „input“ and its „output“ from a network position and allows the sharing of the data in a distributed application. Every time an application writes in one of its network output variables, the new value of the net variables is then distributed via the net to all nodes with the network input variables that were connected with those network output variables. For example: In order to turn on the light via a LONWorks-net, the net output variable of a switching node has to be logically connected to the net input node of the lamp node. When the switch is activated, the network variable is distributed via the net and it is received in the lamp node. The light is turned on. See picture below.

The LonMark Organisation accepted several net variables, that represent different ways of standard data illustrations e. g. temperature, pressure, percentage, voltage. They are called standard network variables or SNVT's and they are listed in the "SNVT master and the programming manual" of the Echelon association.

A SNVT includes information on the type, resolution and size. The LonMark association defines objects that are used for a specific application as a group of SNVT's. Please consider that the customer can also define network variables as not standard and that they are generally called network variables or NVs.



**9.3.1 Implementing the network variables into the UNIGATE®-LONWorks**

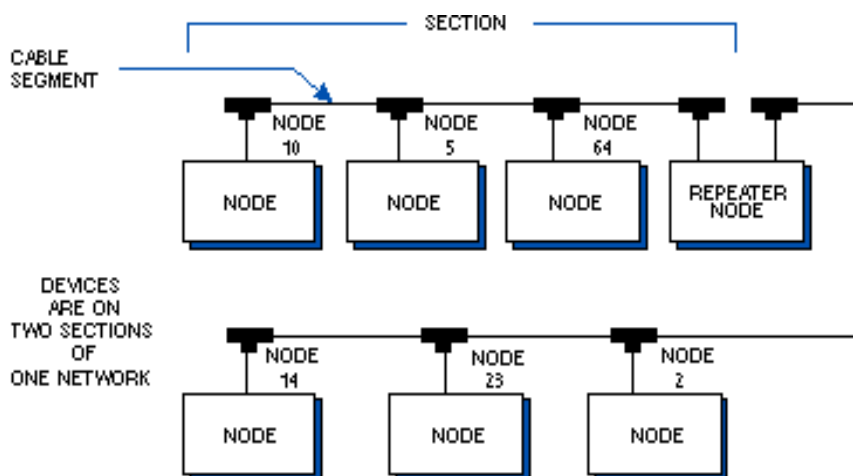
A LONWorks-node is application-specific - which means that it is impossible to have one universal group of network variables for all kinds of different applications. For that reason the UNIGATE®-Lon has to be pre-configured with a fixed group of network variables, that might be required for a certain kind of application.

**9.3.2 Installation**

The network variables can be connected with the nodes by means of an installation tool. This bonding connects the network variables between different nodes. As soon as the bonding is completed, the installation tool can be taken from the net. During the installation time every node receives a unique net identity. For more information on LONWorks please read LONWorks-technology data from Motorola or the LONWorks documentation from Echelon.

**9.3.3 Technical data (characteristics) for LONWorks**

<b>Technical transmission</b>	Free topology (FTT-10A) twisted pair cable, transmission rate 78 kbits/s
<b>Max. bus length</b>	Bus up to 2000 m (with bus intensifiers)
<b>Max. node-to-node distance</b>	500 m
<b>Max. number of nodes</b>	32.385 nodes divided into 127 nodes/subnet 255-subnets/domain
<b>Kinds of data</b>	Peer to peer Communication



At present UNIGATE® IC LONWorks supports max. 62 SNVTs.

<b>Supported SNVTs:</b>	<b>SNVT Master List</b>
Up to Firmware V1.21 -> No. 1 - 166	Version 11
From Firmware V1.22 -> No. 1 - 176	Version 12

## 9.4 Script examples for the initialization of LONWorks

```
//***** LON init
*****
// Type No from SNVT Master-List
// http://www.tsd.org/ieee1473/SNVT.pdf
[LON_SNVT_MasterList_May2002]
// UG62 max count of SNVT's = 62 In and Out SNVT's together
// UG512 max count of SNVT's = 256 In and 246 Out-SNVT's

// 36=31byte, 37=31byte, 83=2byte, 88=29byte, 93=6byte =>99byte
// set In SNVT's
var InMapTable: buffer[5];          moveConst( InMapTable[0],
#36#37#83#88#93 );
var InMapsize : word;              moveConst( InMapsize, 5); // count of
In SNVT's

// set Out SNVT's
var OutMapTable: buffer[5];        moveConst( OutMap-
Table[0],#36#37#83#88#93 );
var OutMapsize : word;            moveConst( OutMapsize, 5); // count of
Out SNVT's

// init SNVT's
LonInMapping( InMapTable[0], InMapsize);
LonOutMapping(OutMapTable[0], OutMapsize);

// set SelfDocString
var SelfDocBuffer: buffer[20];    moveConst( SelfDocBuffer[0], "Vorlage
LON SC");
var SelfDocsize : word ;          moveConst( SelfDocsize, 14);
// init SelfDocString
LonSelfDocString( SelfDocBuffer[0], SelfDocsize);
// note: new init will activate only if ProgramID or SNVT types are
changed,
// like Configmode or Testmode. In this case also bindings will be lost!

// define ProgramID, default = SC000000 (SD... for UG512 V1.82 with new
LON-module
Set ( LONProgramID , 123456 ) ; // SC123456, SC = normal mode
// CM006969 Configmode
// TM004711 Testmode

// define BusMethode for fieldbusIN
Set ( BusdataTriggerMethod , DataChange ) ; // new fieldbus IN data
only if changed
moveconst (OnChange, 1); // 1 = TRUE, 0 = FALSE
if OnChange equal TRUE then :LonInitEnd;

Set ( BusdataTriggerMethod , BusEvent ) ; // new fieldbus IN data on
BusEvent
```



```

// note: BusEvent - you receive the same data and you can read out from
wich index
:LonInitEnd;
//***** LON init end
*****
Set ( RS_State_LED , StaticRed ) ;
//***** start fieldbus
*****
BusStart ;
Wait ( Bus_Active ) ;

Get ( BusInputLen16 , wBusInSize ) ;
Get ( BusOutputLen16 , wBusOutSize ) ;

Set ( RS_State_LED , RedGreenFlashing ) ;
//***** main
*****
:start ;

  Get ( BusDataChanged , bDestination ) ;// sind geänderte Busdaten
  gekommen ?
  if bDestination equal b0 then :CheckRS_In;

  ReadBus ( aBusInBuf[0] , wBusInSize ) ;

```

This routine is an extract from the example „LON\_SC.dss“, that can be found in the Protocol Developer under menu „New“.

More LON Script examples are to be found in the folder „Examples“.

## 9.5 LON-specific parameters

```

// Bus specific -
// LON
// Lon Input SNVT Mapping
  LonInMapping ( a_Source[0] , w_NumberChar ) ;
// Lon Output SNVT Mapping
  LonOutMapping ( a_Source[0] , w_NumberChar ) ;
// Lon Self Documentation String
  LonSelfDocString ( a_Source[0] , w_NumberChar ) ;

Set ( BusdataTriggerMethod , BusEvent ) ; // DataChange

// BusStart:
  BusStart ;
// Device Control -
// Wait State:
  Wait ( Bus_Active ) ;
//
*****
*****

Get ( AvailableBusData , w_word ) ;           // - 0..BusInputSize

```

```

Get ( BusDataChanged , b_byte ) ;

// Read Busdata:
  ReadBus ( a_Destination[0] , w_NumberChar ) ;
// Write Busdata:
  WriteBus ( a_Source[0] , w_NumberChar ) ;
// Wait for changing Busdata:
  WaitBusDataChanged ( w_Timeout , w_NumberChar ) ;

// Get Parameter:                               Set Parameter
// =====                                       =====
Get ( BusInputSize , b_byte ) ;                 // 0..255
Get ( BusOutputSize , b_byte ) ;               // 0..255

// supported from ScriptRev 26 and higher
Get ( BusInputLen16 , w_word ) ;               // 0..512
Get ( BusOutputLen16 , w_word ) ;             // 0..512

//
.....
.....
// LON only:
// -----
Get ( LONProgramID , l_long ) ;                Set ( LONProgramID , 0 ) ; // 0
.. 999999
Get ( CHANGED_SNV_T_INDEX , wDestination ) ;
SetByVar ( CHANGED_SNV_T_INDEX , wDestination ) ; // -1..255 (UG512)
                                                    // -1..61 (UG 62)

//
*****
*****

```

## 10 Error handling at UNIGATE® IC

A distinction can be made between two categories of system-errors:

Serious errors (1-4): In this case, the Gateway must be switched off and switched back on again. If the error occurs again, the Gateway must be exchanged and returned for repair.

Warnings (6-15): These warnings are displayed for one minute simply for information purposes and are then automatically reset. If such warnings occur frequently, please inform After-Sales Service.

The system-error can be read-out via the Script.

In the configuration mode these displays are not valid and only meant for internal use.

Error no.	Error description
0	Reserved
1	Hardware fault
2	EEROM error
3	Internal memory error
4	Fieldbus hardware error
5	Script error
6	Reserved
7	RS-transmit buffer overflow
8	RS-receive buffer overflow
9	RS timeout
10	General fieldbus error
11	Parity-or frame-check-error
12	Reserved
13	Fieldbus configuration error
14	Fieldbus data buffer overflow
15	Reserved

Table 1: Error handling at UNIGATE® IC

## 11 Firmware-update

### 11.1 Overview

UNIGATE® IC has a 64 kbyte flash memory for the firmware. In the firmware-update-mode the firmware can be replaced via the UNIGATE® IC's serial interface.

### 11.2 Adjusting the firmware-update-mode

#### 11.2.1 Adjustment by hardware

UNIGATE® IC can be brought to the firmware-update-mode by the hardware. For it the signal  $\overline{BE}$  (boot enable) has to be pulled to the potential GND during the Power-up-process.

#### 11.2.2 Adjustment by software

If the UNIGATE® IC is in the configuration mode (see chapter 7.2) it can be brought to the firmware-update-mode interactively through the command CTRL-F (0x06). After sending the command a security query follows, that has to be answered with J or N (J = Yes, N = No). After a positive confirmation the IC is re-started in the firmware-update-mode.

### 11.3 Execution of the firmware-update

The safest way for the firmware-update is the use of the basis board combined with the software "FDT.EXE" (firmware-download-tool). These tools are available from Deutschmann Automation (see chapter 13).

It is also possible to use the description and the tools of the manufacturer of the controller (TEMIC, 89C51RD2) as well.

### 11.4 Note on safety

The firmware-update should only be carried out when there is no other possibility left. A firmware-update-process that has already been started CANNOT be undone. With it the previously used firmware is permanently unusable.

### 11.5 Operation mode of the IC

#### Standard-operation mode

This mode is required for the regular use of the IC. In this mode the IC will process all script-commands and normally exchange the corresponding user data. The bus as well is operated in this mode through the IC.

#### Configuration mode

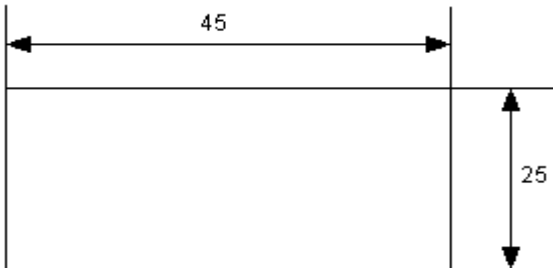
In the configuration mode the UNIGATE® IC will carry out a self-test after the start (or after a reset). After a successful self-test it will wait for further commands. Here it is possible to load a compiled script into the device or to initialize the firmware-download-mode.

## 12 Technical data

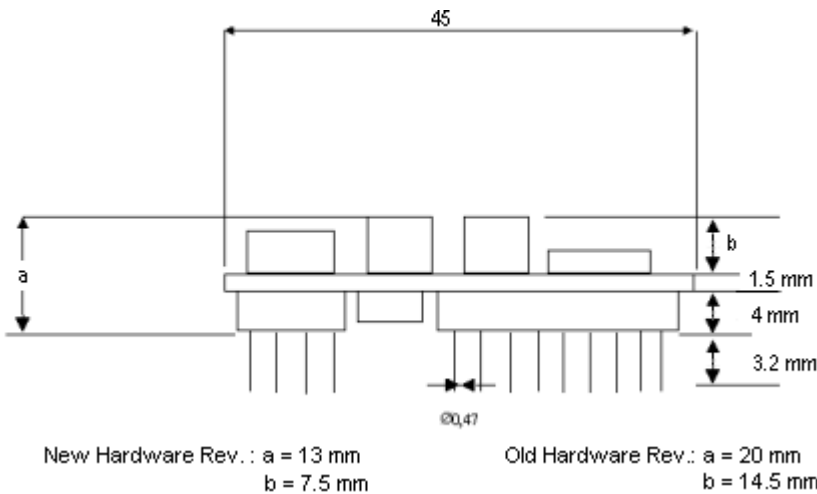
In this chapter you will find all necessary technical data on UNIGATE® IC.  
All measurements in mm.

### 12.1 Mechanics of the UNIGATE® IC

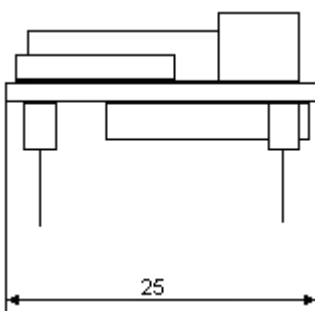
#### 12.1.1 General dimensions of UNIGATE® IC



#### 12.1.2 Dimensions UNIGATE® IC



The pins of UNIGATE® IC are arranged with a grid spacing of 2.54 mm.



DIP-Spacing Code 6

In case you intend to use other fieldbus ICs, the maximum overall height of  $\leq 20$  mm (including pins) has to be taken into consideration.

## 12.2 Technical data UNIGATE® IC-LONWorks

Characteristics	Explanation
Supply voltage	5 V $\pm$ 5 %, max. 75 mA DC
Interface	2 UART interfaces, 1 synchronous serial interface
Fieldbus-side	Standard FTT-10A
Program-ID	Adjustable via script
Fieldbus-baud rate	Standard
UART-baud rate	Up to 625 Kbaud (adjustable via script)
Fieldbus data format	Max. 62 SNVTs, max. 512 Byte
Technology	FT 3120
Others	E. g. digital I/Os, analogous signals, shift registers, LEDs, switches and so on can be connected externally
Dimensions	45 x 25 x 13 mm (W x D x H), old hardware rev.: 45 x 25 x 20 mm (B x D x H)
Installation	32 DIL
Weight	Approx. 10 g
Operating temperature	-40°C ..+85°C
Storage / transport temperature	-40°C..+100°C
Built-in position	Any

## 13 Accessory

The following tools are available from Deutschmann Automation.

### 13.1 Adapter RS232

In an application the adapter RS232 offers the possibility to replace an existing driver MAX 232 (only in DIL-16-housing) by this adapter. This board allows the use of the IC according to chapter 3.4.

The hardware is only meant for development purposes. It offers the possibility to make an existing application capable for bus connection in no time and to test the IC's utilizability and functionality.

### 13.2 Adapter RS485

From the functionality's point of view the RS485 adapter is the same as the RS232 adapter. It offers the possibility to replace a module LS 176 (only in DIL-8-housing) by the IC.

There are the same restrictions as for the RS232 adapter.

### 13.3 FirmwareDownloadTool (FDT)

The FirmwareDownloadTool is available for download from our homepage: it is required for an update of the firmware. Condition for it is, that a PC can be connected to the serial of the IC. The software describes the procedure of an update itself.

### 13.4 PROTOCOL DEVELOPER

The PROTOCOL DEVELOPER is the development environment for scripts, that also contain the Debugger. This software package also contains the documentation to all script-commands. This software is available for download from our homepage at <http://www.deutschmann.com>. The instruction manual for the PROTOCOL DEVELOPER, which is available in pdf-format, gives further advise on how to use the software.

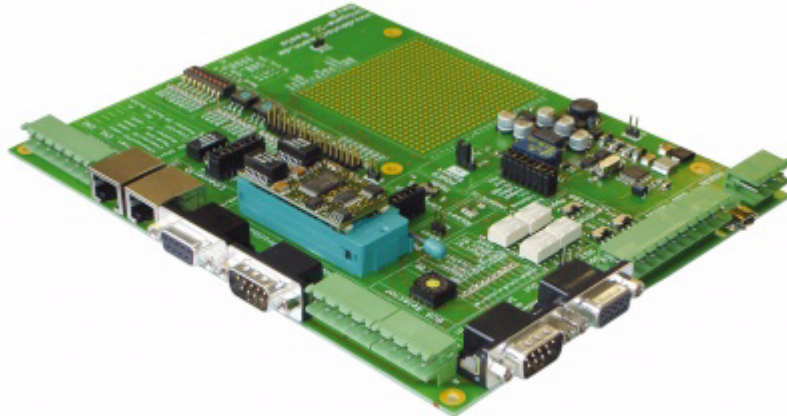
### 13.5 Developerkit UNIGATE® IC-AB IC

The Developerkit IC contains

- a Developerboard UNIGATE® IC (see chapter 13.5.1)
- a plug-in power pack to supply the Developerboard
- connection cables for appl. RS232, Debug RS232 and appl. RS422/485
- USB-cable
- Software and documentation to complete the packet.

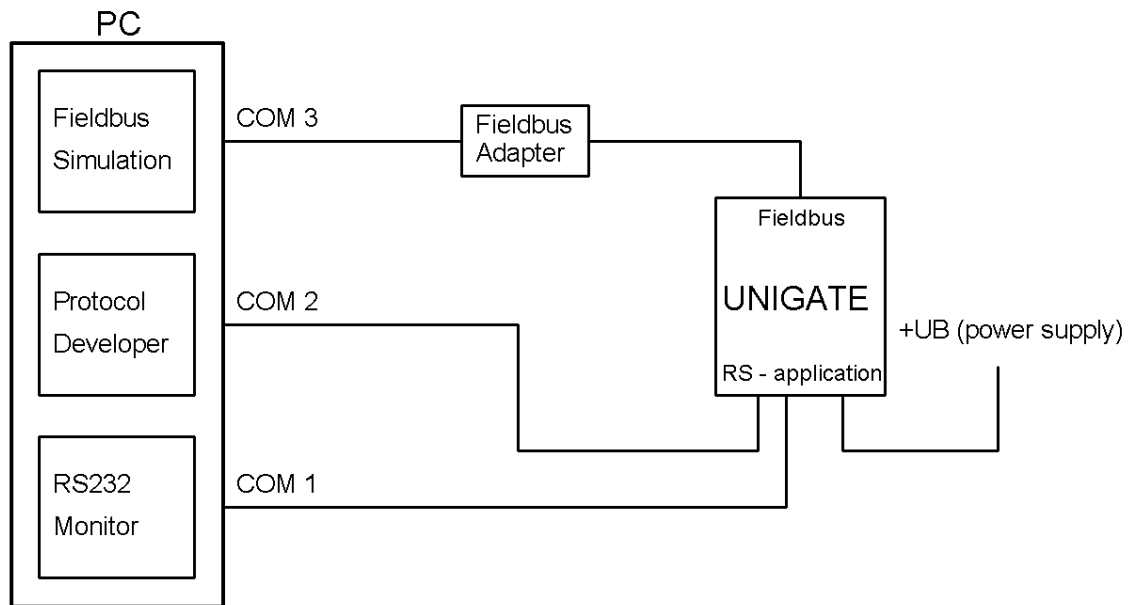
#### 13.5.1 Developerboard UNIGATE® IC-AB

The Developer Board was developed so that the fast implementation of the Deutschmann All-in-one bus node UNIGATE® IC into your electronic system can be guaranteed. The board is suitable for all Fieldbuses and Industrial Ethernet Buses supported by Deutschmann Automation.



The required UNIGATE® IC / ICs are ordered separately. The required voltage (5V or 3.3V, depending on the version) can be adjusted. An RS232-interface or a USB-connection is available for the connection to the PC (Debug-interface). The application can be connected either through the USB, RS232, RS485 or the RS422. The bus-connections according to standard or market standard are available to test the respective bus-side. Optionally Deutschmann Add-on packages (bus-master simulation) are available. The board contains 32 bit input and 16 bit output, provided with one LED each. Different connectors allow an easy coupling to your processor. A hole matrix field with the most important signals (voltage, IOs) allows a customized hardware extension (e. g. to connect a D/A converter).

**13.5.2 Quick start**



For a transparent data exchange you can load the file  
 File -> New -> „LON\_IC\_Basisboard\_UG62.dss“  
 that is stored in the PROTOCOL DEVELOPER.

Switch position: Only for bus-adapter SLTA-10 from Echelon: 1 - 3 ↓  
 4 - 8 ↑



## 14 Appendix

### 14.1 Explanations of the abbreviations

#### General

CL	=	Product group CL (Compact Line)
CM	=	Product group CM (CANopen Line)
CX	=	Product group CX
EL	=	Product group EL (Ethernet Line)
FC	=	Product group FC (Fast Connect)
GT	=	Galvanic separation RS-side
GY	=	Housing color gray
MB	=	Product group MB
RS	=	Product group RS
SC	=	Product group SC (Script)
232/485	=	Interface RS232 and RS485 switchable
232/422	=	Interface RS232 and RS422 switchable
DB	=	Additional RS232 DEBUG-interface
D9	=	Connection of the RS through 9-pin D-SUB instead of 5-pin screw-plug connector
PL	=	Board only without DIN-rail module and without housing cover
PD	=	Board only without DIN-rail module and with housing cover
AG	=	Gateway installed in a die-cast aluminum housing
EG	=	Gateway installed in a stainless steel housing
IC	=	Product group IC (IC-design DIL32)
IO8	=	Option I/O8
16	=	Script memory expanded to 16KB
5V	=	Operating voltage 5V
3,.3V	=	Operating voltage 3.3V

#### Fieldbus

ASI	=	AS-Interface (AS-i)
BI	=	BACnet/IP
BMS	=	BACnet MSTB
CO	=	CANopen
C4	=	CANopen V4
C4X	=	CANopen V4-version X (see comparison table UNIGATE <sup>®</sup> IC for the respective product)
DN	=	DeviceNet
EC	=	EtherCAT
EI	=	Ethernet/IP
FE	=	Ethernet 10/100 MBit
FEX	=	Ethernet 10/100 MBit-version X (see comparison table UNIGATE <sup>®</sup> IC for the respective product)
IB	=	Interbus
IBL	=	Interbus
LN62	=	LONWorks62
LN512	=	LONWorks512
ModTCP	=	ModbusTCP
MPI	=	Siemens MPI <sup>®</sup>
PL	=	Powerlink

- PN = Profinet-IO
- PBDP = ProfibusDP
- PBDPL = ProfibusDP-version L (see comparison table UNIGATE® IC for the respective product)
- PBDPX = ProfibusDP-version X (see comparison table UNIGATE® IC for the respective product)
- PBDPV0 = ProfibusDPV0
- PBDPV1 = ProfibusDPV1
- RS = Serial RS232/485/422

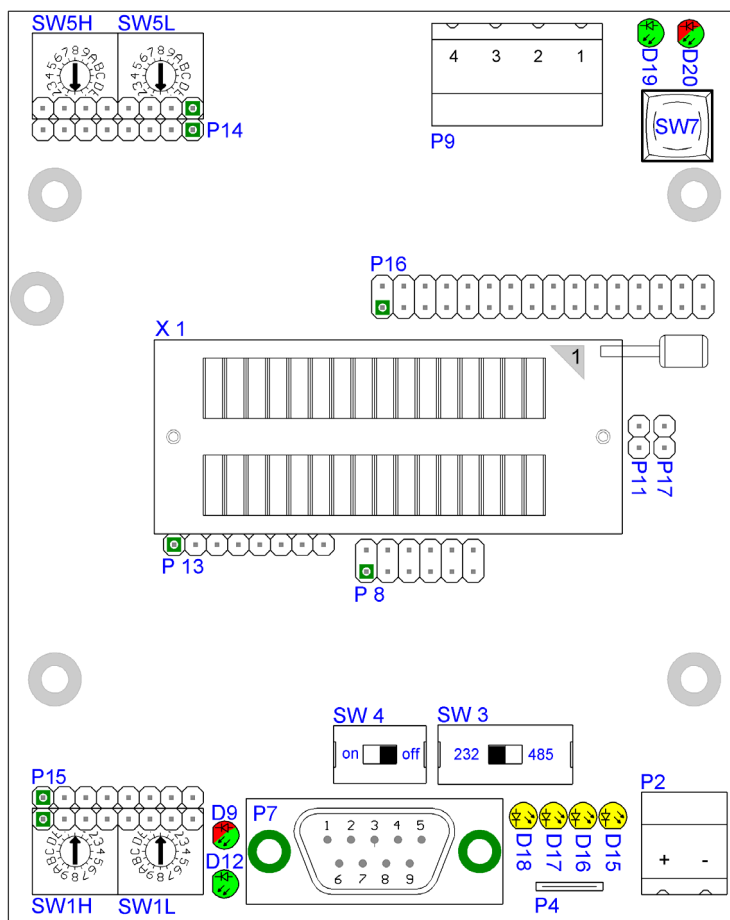
## 14.2 Basis board



The basis board that is described in this chapter was supplied until the end of 2008.

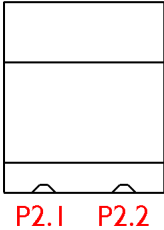
A new board is available since the beginning of 2009 (see chapter 13.5.1).

### 14.2.1 Overview basis board LONWorks



**Slot X 1 (ZIF-socket)**

PIN 1 of the IC is located up at the lever of the ZIF-socket.  
Never place the IC into the socket back to front!

**P 2****P2**

Pin	Signal
Pin 1	24 V DC
Pin 2	Ground

The basis board is supplied with voltage through this plug connector.

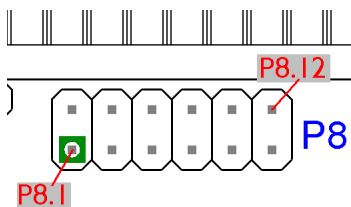
**P 4**

Earth terminal 6.3 mm for basis board.

**P 7**

This plug is the basis board's serial connection to the customer's device and the connection to the PC (Debug-interface).

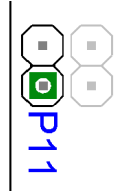
For the pin assignment see chapter 14.2.2.1.

**P 8**

The illustration shows the arrangement of the pins. On this connector strip the signals of the serial connection between IC and RS-drivers are wired. For an initial development you will probably also use an existing driver in your application. In order to exchange it later on, you can also directly take the signals of the serial interface here.

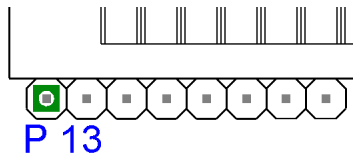
**P 9**

Fieldbus plug connector, for the assignment of the connector see chapter 14.2.2.2.

**P 11**

Force Boot. By setting this bridge the Pin BE is dragged to Ground. For the function see chapter 11.2.1.

**P 13**

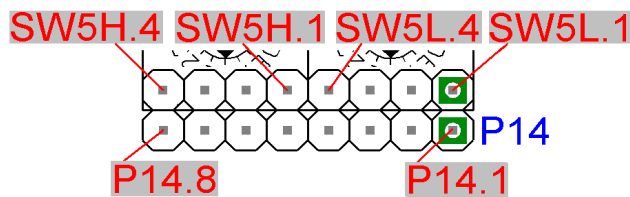


Status signal of the IC  
 Plug connector P 13

Pin	Signal
1	Vcc
2	Gnd
3	-RESET
4	RX of the IC (TTL-level)
5	TX of the IC (TTL-level)
6	TE Pin IC (TTL-level)
7	TX Debug of the IC (TTL-level)
8	RX Debug of the IC (TTL-level)

**P 14, SW5H, SW5L**

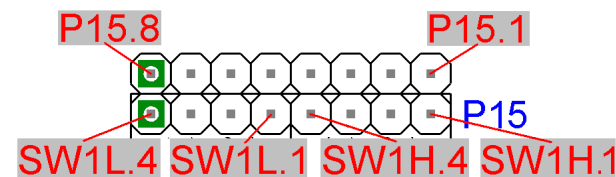
Input shift register  
 For a detailed assignment and for information on which pin is assigned to which bits, see also chapter 5.



Connection	Pin	Meaning
P 14	1	Input 9
	8	Input 16
SW5H	1	Input 25
	4	Input 28
SW5L	1	Input 29
	4	Input 32

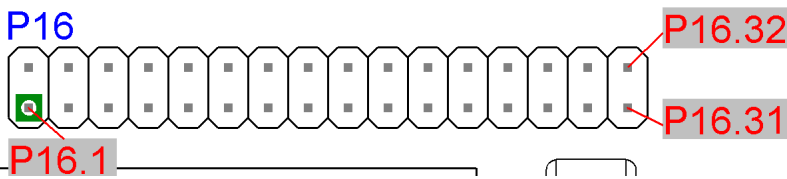
**P 15, SW1H, SW1L**

Input shift register  
 Basically the same applies as for P 14, with the exception that different input bits of the shift registers are wire.



Connection	Pin	Meaning
P 12	1	Input 1
	.....	.....
	8	Input 8
SW1H	1	Input 17
	.....	.....
	4	Input 20
SW1L	1	Input 21
	.....	.....
	4	Input 24

**P 16**



All digital outputs of the shift registers are available here. Additionally the LEDs D9, D15..D18, D20 are connected to the shift registers.

**P 17**

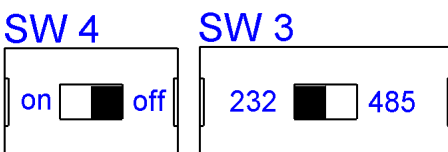


With P17 the UNIGATE® IC can be brought into the configmode. If the jumper is plugged and if the UNIGATE® IC is restarted (by power off and power on or by reset), then the UNIGATE® IC will start in the configmode. In order to use the configmode with Deutschmann software tools the interface of the board has to be in RS232-position and the PC has to be connected with the „normal“ interface, where otherwise your application is connected to. See also chapter 7.2.

**SW1H, SW1L, SW5H, SW5L**

The rotary switches SW1H, SW1L, SW5H, SW5L are plugged into the base boards and can be removed if required. As a default the rotary switches are plugged in and can be read in through the basis board's shift registers base boards (see also chapter 5 for it).

**SW3, SW4**



These switches are required for the setting of the serial interface. The switch SW3 is used to switch between interface RS232 and RS485. This is the interface, the customer's device is connected to. The Debug-interface always has RS232-level. The switch SW4 is of importance only, when it is an RS485-interface. Then this switch can be used to connect the termination of the RS485-bus. Each switch position can be taken from the illustration.

**D12**

Power LED

This LED is always supposed to be shining statically green when the board is supplied with voltage.

**D9, D15..D18, D20**

LEDs that are connected to the shift register components. See also (see also chapter 14.2.3 'Wiring diagram UNIGATE® IC-basis board LONWorks').

**D19**

Bus Status flashes for 10 seconds in case of a Wink command, it flashes for 2 seconds when pushing the service button and it goes on if a data access has taken place through Poll or Wink.

**SW7**

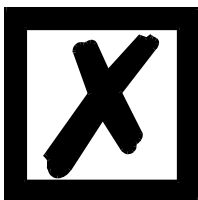
By setting the service pin low, it transmits the Neuron ID and program name on to the network.

**14.2.2 Connectors of the basis board****14.2.2.1 Connector to the external device (RS-interface)**

The connection cable to the external device must be plugged in at the connector accessible on the underside of the device.

Pin assignment P7 (9-pin Sub-D, plug)

Pin No.	Name	Function
1	Not connected	Not connected
2	Rx/RS485- / RS422- (Tx)	Receive signal customer's device
3	Tx/RS485+ / RS422+ (Tx)	Transmit signal customer's device
4	Tx / Diag	Transmit signal Debug interface
5	GND RS	Ground connection, reference for PIN 2+3+6+7
6	RS422- (Rx)	
7	RS422+ (Rx)	
8	Not connected	Not connected
9	Rx / Diag	Receive signal Debug interface

**Attention:**

*In case the RS-interface is NOT potentially divided, "GND" and "supply 0V" are connected internally.*

Pin assignment P2 (2-pin screw-type/plug connector)

Pin No.	Name	Function
1	10.8...30 V / DC	10.8...30 V supply voltage
2	0 V / DC	0 V supply voltage

**14.2.2.2 LONWorks bus connector**

The LONWorks bus connector for connection to the LON network is located on the upper side of the device.

Pin assignment P9 (4-pin screw-type/plug connector)

Pin No.	Name	Function
1	NET A	LONWorks network
2	NET B	LONWorks network
3	NET A	LONWorks network
4	NET B	LONWorks network

#### 14.2.2.3 Power supply of the basis board

The device must be powered with 10.8-30 VDC.

Please note that the devices of the series UNIGATE<sup>®</sup> with 9-pin D-SUB connector, the power supply is routed via the separate 2-pin screw-type/plug connector.

Please pay attention to the fact that devices of the series UNIGATE<sup>®</sup> cannot be operated with AC voltage.

#### 14.2.2.4 Shield terminal lead

The shield signal for the electronic circuitry is connected to the DIN-rail via the connector provided.

#### 14.2.2.5 Rotary coding switches

The rotary coding switches are socketed and can be taken off, in order to alternatively use the pins of the shift register.

#### 14.2.2.6 Slide switch (RS485/RS232 interface)

This slide switch is used to select whether an RS485 interface or an RS232 interface is connected at the connector to the external device.

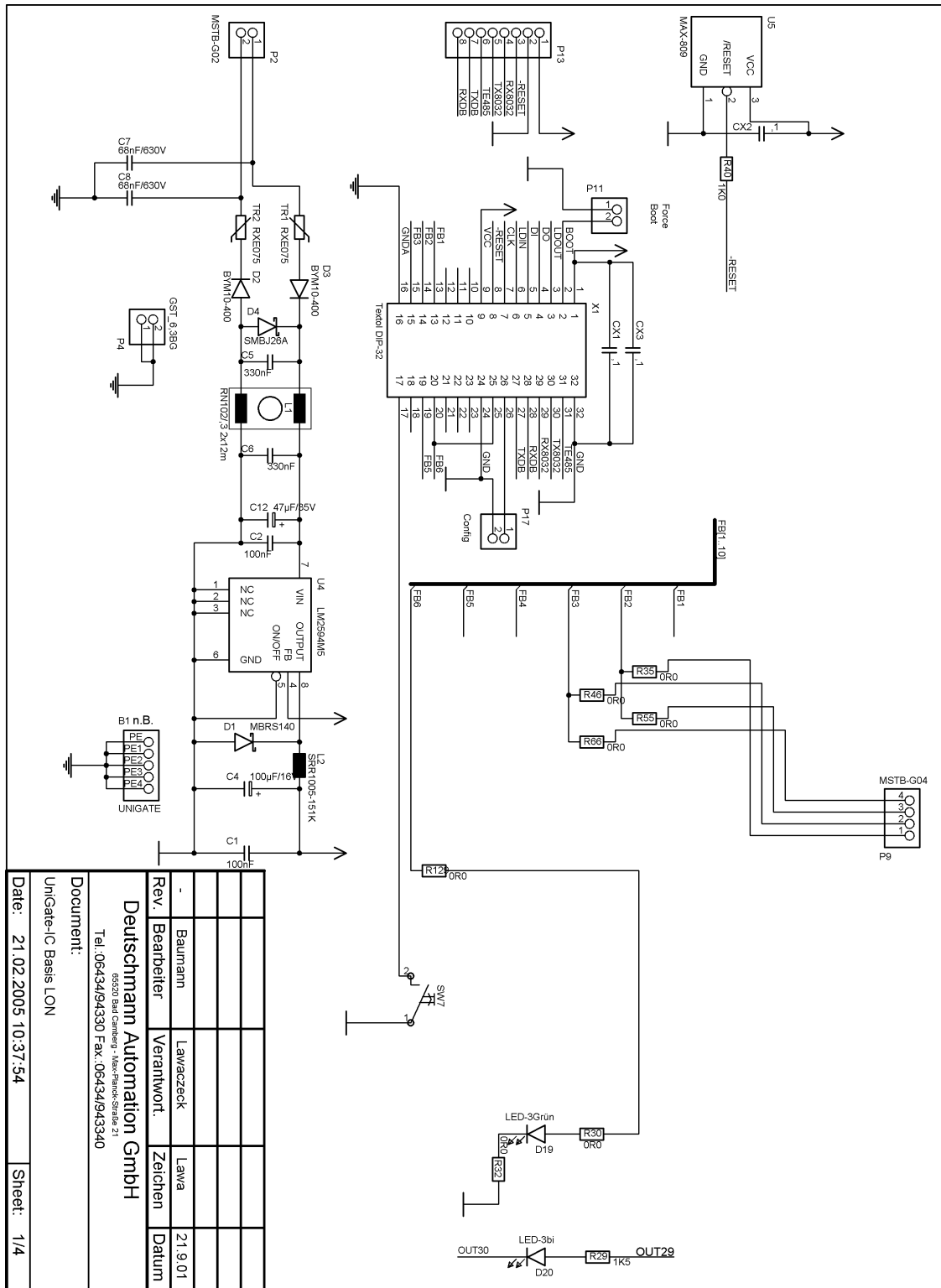
#### 14.2.2.7 Slide switch (RS485 termination)

If the gateway is operated as the first or last physical device in the RS485 bus, there must be a bus termination at this gateway. In order to do this, either a bus terminating resistor in the connector or the resistor (150  $\Omega$ ) integrated in the gateway must be activated. In order to do this, slide the slide switch to position ON. In all other cases, the slide switch must remain in position OFF. Please refer to the general RS485 literature for further information on the subject of bus terminations.

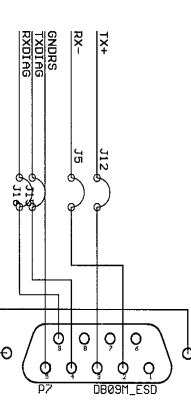
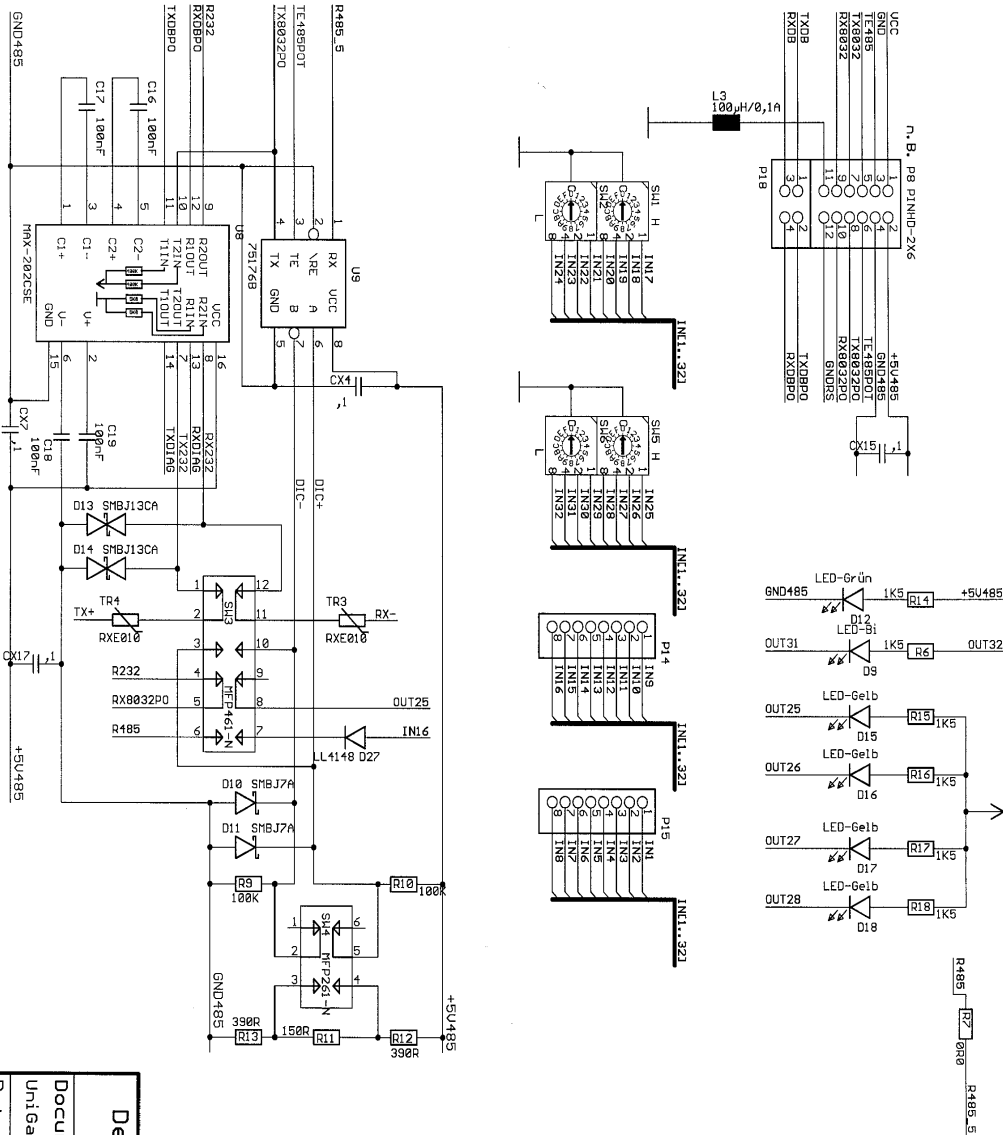
If the integrated resistor is used, please allow for the fact that this also activates a pull-down resistor (390  $\Omega$ ) to ground and a pull-up resistor (390  $\Omega$ ) to VCC.

At the RS422-interface the transmission line is terminated. The receive line is always firmly terminated.

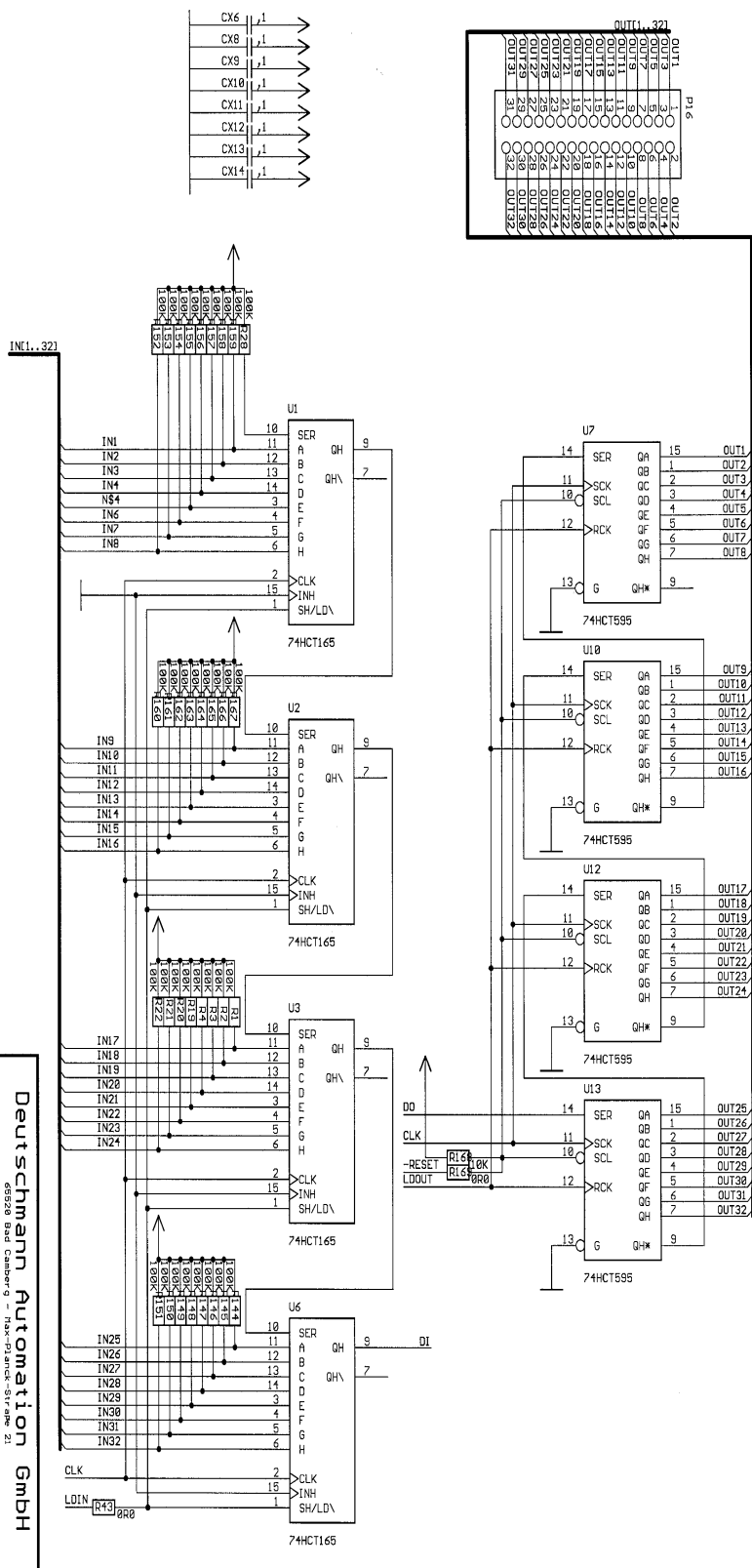
14.2.3 Wiring diagram UNIGATE® IC-basis board LONWorks







**Deutschmann Automation GmbH**  
 65528 Bad Camberg - Max-Planck-Strasse 21  
 Tel.: 06434/94330 Fax.: 06434/943340  
 Document:  
 UniGate-IC Basis RevA  
 Date: 16.01.2002 15:15:14 Sheet: 2/3



Deuschmann Automation GmbH  
 65520 Bad Camberg - Fax: 06434/943340  
 Tel.: 06434/94330 Fax: 06434/943340  
 UnitGate-IC Basis RevA  
 Date: 16.01.2002 15:11:32 Sheet: 3/3

## 15 Servicing

Should questions arise that are not covered in this manual you can find further information in our

- FAQ/Wiki area on our homepage [www.deutschmann.com](http://www.deutschmann.com) or directly in our Wiki on [www.wiki.deutschmann.de](http://www.wiki.deutschmann.de)

If your questions are still unanswered please contact us directly.

Please note down the following information before calling:

- Device designation
- Serial number (S/N)
- Article number
- Error number and error description

You can reach us during hotline hours which are as follows

Monday to Thursday from 8 am to midday and from 1 pm to 4 pm, Friday from 8 am to midday (CET).

Deutschmann Automation GmbH & Co. KG  
Carl-Zeiss-Straße 8  
D-65520 Bad-Camberg  
Germany

Central office and sales department +49 6434 9433-0  
Technical hotline +49 6434 9433-33

Fax sales department +49 6434 9433-40  
Fax technical hotline +49 6434 9433-44

E-mail technical hotline [hotline@deutschmann.de](mailto:hotline@deutschmann.de)

### 15.1 Downloading PC software, Script examples etc.

You can download the current version of WINGATE<sup>®</sup> and Script examples free of charge from our Internet server.

Here you will also find the software tool PROTOCOL DEVELOPER for UNIGATE<sup>®</sup> SC and IC.

<http://www.deutschmann.com>

## 16 EC declaration of conformity



**Deutschmann Automation**

Cam Controls | Fieldbus Gateways | Industrial Ethernet Products

### EC declaration of conformity As defined by EC-EMC-Directive

Hereby we,

company **Deutschmann Automation GmbH & Co. KG**  
Carl-Zeiss-Straße 8  
D-65520 Bad Camberg  
Tel: +49 (0)6434 / 9433-0  
Fax: +49 (0)6434 / 9433-40

declare that the below mentioned product was developed, produced and put on the market in accordance with the above EC-Directive.

Product: **Gateway**

Type designation: **UNIGATE® IC – LONWorks62**

Applied standards: **EN61000-6-2 Immunity**  
EN61000-4-2 /2009 Electrostatic Discharge  
EN61000-4-3 /2006 + A1, A2 Rad. Immunity E-field  
EN61000-4-4 /2004 + A1 Burst  
EN61000-4-5 /2006 Surge  
EN61000-4-6 /2009 Immunity to Cond. RF

**EN55011 cl. A Emission in parts:**  
CISPR 11 Rad. Emission E-Field

Bad Camberg, 16.08.2011

Gunther Lawaczeck

Michael M. Reiter



